

SUPPLEMENT TO SET-UP INSTRUCTIONS

***The INSTALLATION OF A LOCK CYLINDER
page in the Set-Up Instructions has been revised.
Please substitute that page in the Set-Up
Instructions with the revised page.***

117-0010-S
130-0001-S
139-0003-S
141-0009-S

227-0003-S
312-8203-S
360-0005-S

404-0010-S
407-0003-S
407-0005-S

417-0010-S
424-0012-S
613-0005-S
618-0001-S

Printed in U.S.A.

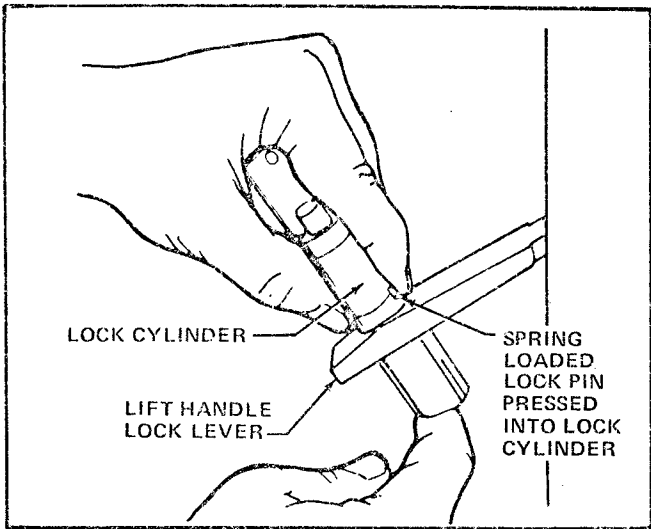


FIGURE 2

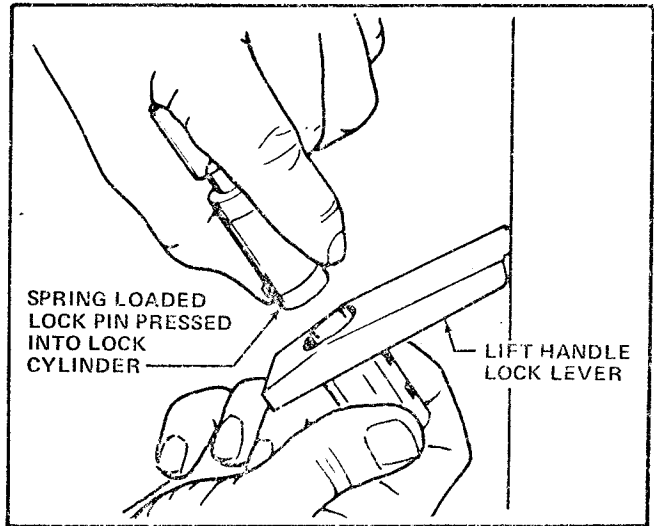


FIGURE 5

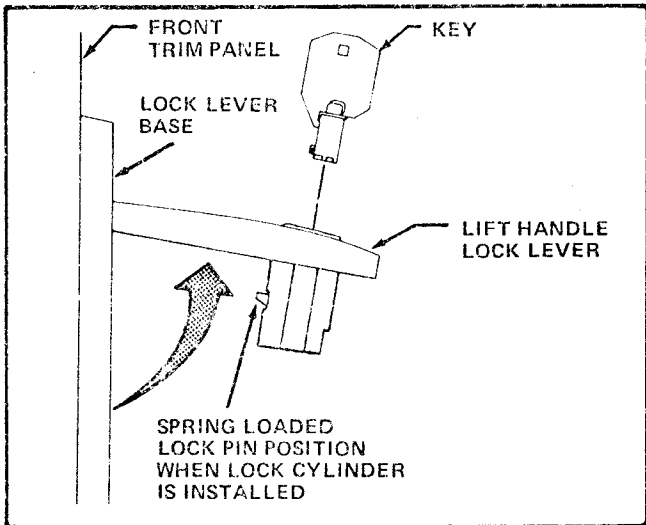


FIGURE 3

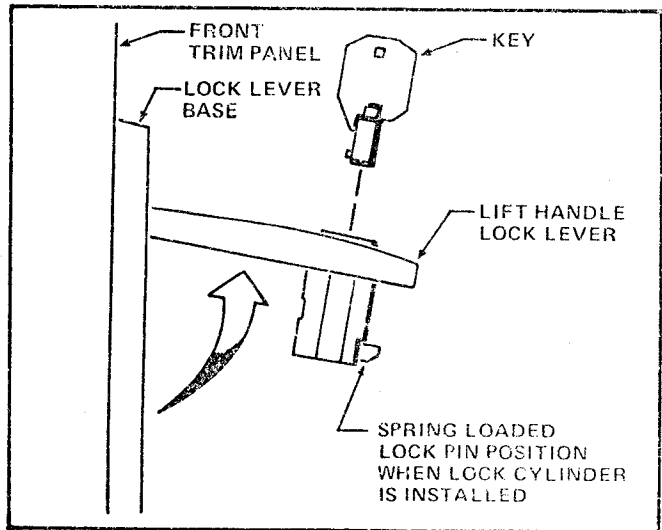


FIGURE 6

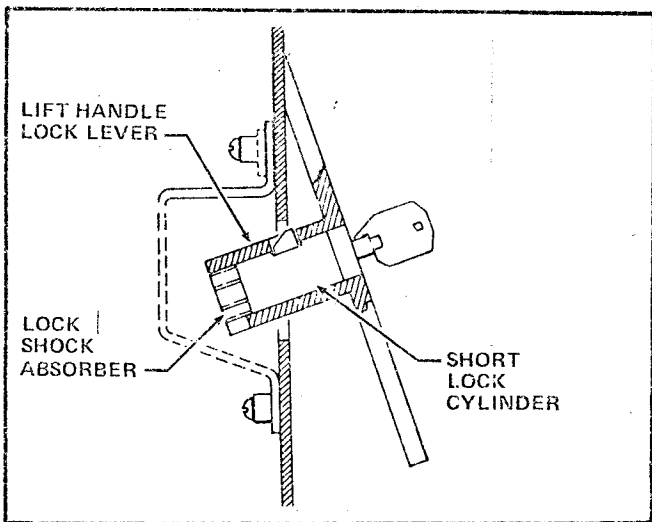


FIGURE 4

HOW TO INSTALL A LOCK CYLINDER IN THE LIFT HANDLE LOCK LEVER

These instructions apply to Merchandisers equipped with the Lift Handle Lock Lever and received without a Lock Cylinder installed. The *Flex-ACE[®] Lock Cylinder, Part Number 9992-000, the National Lock Cylinder and the New Style Van Lock Cylinder may be used in the Lift Handle Lock Lever.

Before starting the actual installation of a Lock Cylinder, read these instructions through carefully. Follow instructions carefully when performing the installation.

A. To Install the Flex-ACE Lock.

NOTE

The Merchandiser is equipped with a Shock Absorber installed in the Lift Handle Lock Lever, it is to be used behind short type lock cylinders to fill out the remaining space in the Lock Cylinder Hole and aid in preventing forced entry.

1. Move the Lift Handle Lock Lever to the position shown in Figure 1, open the Door and remove the Lock Spring.
2. Raise the Lift Handle Lock Lever and turn the Lock Cylinder so the Spring Loaded Lock Pin is on top. See Figure 2. Press in on the Spring Loaded Lock Pin and insert the Lock Cylinder into the Lock Cylinder Hole of the Lift Handle Lock Lever.
3. Push the Lock Cylinder in and turn slightly with the key if necessary until the Spring Loaded Lock Pin snaps up through the square hole in the top of the Lift Handle Lock Lever. See Figure 3.

CAUTION

Test the Lock release and latching operation thoroughly BEFORE closing the Door.

4. Press the Lock Shock Absorber in firmly against the rear of the Lock Cylinder. See Figure 4.
5. Close and lock the Cabinet Door.

B. To Install a National Lock or the new style Van Lock.

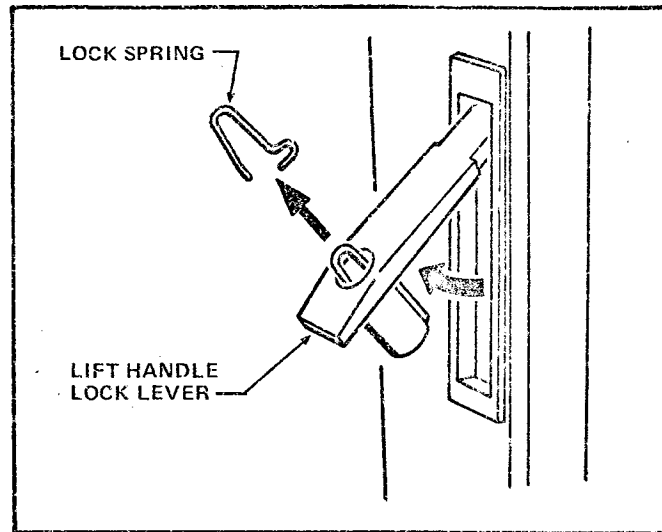


FIGURE 1

CAUTION

The Van Lock Kit, Part Number 311-2165, which contains a Van Lock Key, Part Number 311-2164 and a Van Lock Cylinder, Part Number 311-2163, are for use in the Lift Handle Lock Lever. Earlier styles of Van Lock Keys will not operate the Van Lock Cylinders for which they were designed if the Cylinders are installed in the Lift Handle Lock Lever.

1. Move the Lift Handle Lock Lever to the position shown in Figure 1, open the Door and remove the Lock Spring.
2. Remove any Lock Shock Absorber from the Lock Cylinder Hole of the Lift Handle Lock Lever.
3. Raise the Lift Handle Lock Lever and turn the Lock Cylinder so the Spring Loaded Lock Pin is on the bottom. See Figure 5. Press in on the Spring Loaded Lock Pin and insert the Lock Cylinder into the Lock Cylinder Hole of the Lift Handle Lock Lever.
4. Push the Lock Cylinder in and turn slightly with the Key if necessary until the Spring Loaded Lock Pin snaps through the groove in the bottom rear side of the Lock Cylinder Hole. See Figure 6.

CAUTION

Test the Lock release and latching operation thoroughly BEFORE closing the Door.

5. Close and lock the Cabinet Door.

*Flex-ACE is the Registered Trade Mark of the Chicago Lock Co.

Printed in U.S.A.

JGE

Copyright © 1975 by National Vendors

A Division of UMC Industries, Inc.

117-0010-S
130-0001-S

139-0003-S
140-0001-S

227-0003-S
311-0007-S

312-8203-S
404-0010-S

407-0003-S
407-0005-S

613-0005-S
618-0001-S

117-0010 ~~487-0003~~
130-0001 407-0005
139-0003 613-0005
227-0003

SUPPLEMENT A

**The information contained
in this supplement
reflects the current**

CM-72 REV. L HCM-72 REV. J
ECM-72 REV. O HCM-72C REV. H
EPM-72 REV. K HBM-614 REV. K
22M72 REV. R

merchandiser.

**KEEP THIS SUPPLEMENT
WITH THE
SET-UP INSTRUCTIONS.**

The Coin Block shown in the Set-Up Instructions (see Adjustment of the Coin Block) has been changed. Refer to Figure 1 or Figure 2 below, for adjusting the Coin Block.

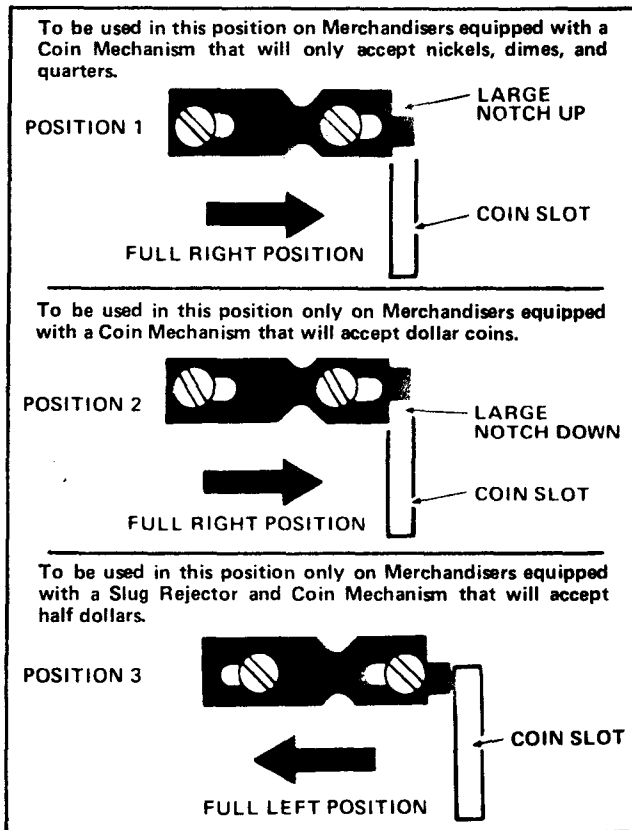


Figure 1. Coin Block Adjustment for Series and Golden Furniture Line Merchandisers

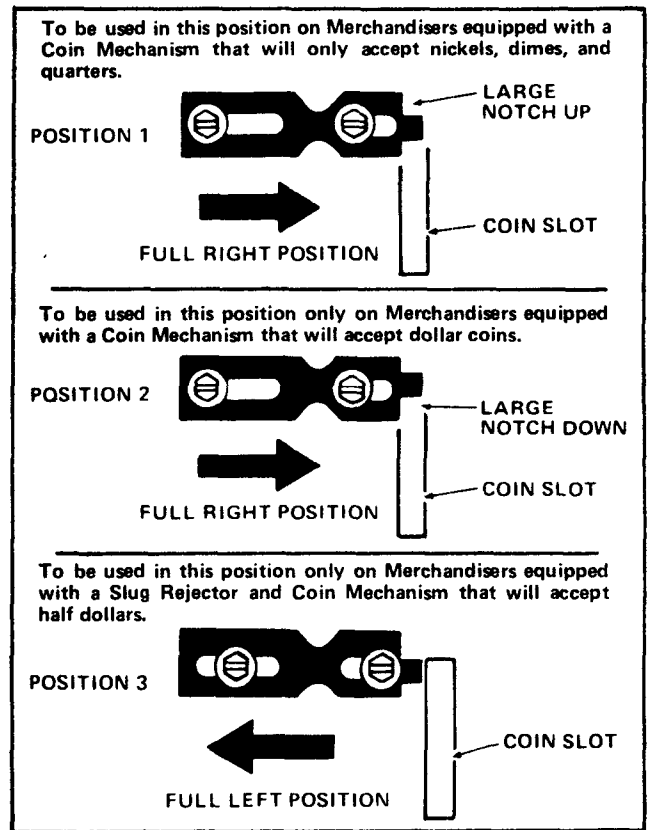


Figure 2. Coin Block Adjustment for Imperial Crown, Designer Series, and Golden II Merchandisers

SUPPLEMENT TO SET-UP INSTRUCTIONS

THE COIN MECHANISM IN THIS MERCHANDISER
IS THE NEW, NATIONAL VENDORS,[®]
COIN MECHANISM, THE SERIES 130 ACMR,
ALL COIN MANUAL RECORDER.

THIS SUPPLEMENT, TO THE SET-UP INSTRUCTION
INCLUDED IN THIS MERCHANDISER,
COVERS THE ONLY PROCEDURES TO BE USED
WHEN SETTING THE PRICING OF THE
SERIES 130 ACMR COIN MECHANISM.

IT IS IMPORTANT THAT THIS SUPPLEMENT, AS
WELL AS, THE SET-UP INSTRUCTION INCLUDED IN
THE MERCHANDISER, BE KEPT IN
THE MERCHANDISER FOR FUTURE REFERENCE.

220-0065
222-0062

227-0003
112-0030

117-0010
407-0003

THE SERIES 130 ALL COIN MANUAL RECORDER

I. INTRODUCTION

The Series 130, ACMR Coin Mechanism, with which this Merchandiser is equipped in a mechanical Coin Mechanism that accepts any combination of nickels, dimes, and quarters which total the exact vending price of the desired item. The price setting possibilities are in 5¢ increments. The total vending price range in 5¢ to \$1.30. The Series 130 ACMR can be set to vend at one, two, or three prices. However, regardless of which price group is used, the difference between the low and high price cannot be more than 70¢. Sets of 5¢ through 75¢; 10¢ through 80¢; 15¢ through 85¢, and so on up to 60¢ through \$1.30 must be used.

The difference in these vending price spreads occurs, because the Low Price Disc on the Price Disc Assembly must always be set at a price of 60¢ or below, even though the low price at which the Merchandiser is to vend may be 65¢ or above.

The use of the correct price setting procedure and the careful following of the instructions is important when setting the Series 130 ACMR pricing.

Except for the restrictions referred to, to prices selected need not be in equal steps or in any particular sequence. Merchandisers equipped with a Series 130 ACMR Coin Mechanism also have Price Shaft Arms which must be in the correct position before the Merchandiser will operate properly. The Price Shaft Arm positioning instructions are given in each individual Merchandisers Set-up Instructions and Parts and Service Manual.

II. PRICE SETTING INSTRUCTIONS

These instructions cover all the pricing arrangements the Series 130 ACMR is capable of handling. Be sure the instructions used are for the conditions under which the Merchandiser is to operate.

- A. One Price Vending At A Price Of 60¢ Or Below.
- B. One Price Vending At A Price Of 65¢ Or Above.
- C. Two Price Vending When The Lower Price Is 60¢ Or Below.
- D. Two Price Vending When The Lower Price Is 65¢ Or Above.
- E. Three Price Vending.

IMPORTANT

If the Merchandiser is to be set to vend at 3 prices, the low price must be 60¢ or less and the maximum difference between the low price and the high price cannot be greater than 70¢.

- A. One Price Vending At A Price of 60¢ or Below.

NOTE

If the single price is 65¢ or above, use procedure II-B.

- 1. Depress the Scavenger Bar to reset the Coin Mechanism Recorder.
- 2. Open the Cabinet Door. When applicable set the Door Holder Leg.
- 3. Expose the Delivery Mechanism Right Sidewall.
- 4. Remove the Price Cap from the Coin Mechanism. See Figure 1.
- 5. Remove the Price Disc Assembly from the Coin Mechanism. See Figure 1.

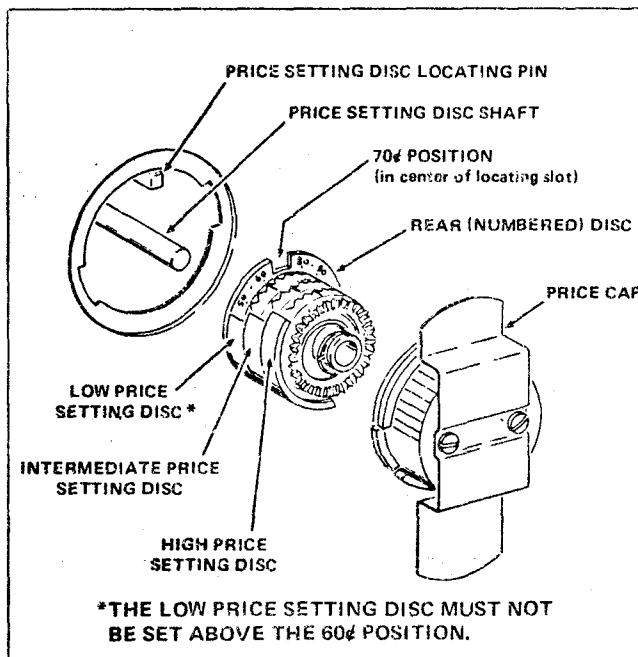


Figure 1. The Series 130 ACMR Price Disc Assembly Removal

6. Rotate the 3 toothed Price Setting Discs to align the yellow line in each of the 3 Discs with the desired vending price marking on the Rear (numbered) Disc. The Discs are totaled by pulling them against the Spring, away from the Rear Disc. See Figure 1.
7. Set all the Price Shaft Arms on both of the Merchandiser Price Selector Shafts in the non-operating position. See Figure 2.
8. Place the Price Disc Assembly in the Coin Mechanism. The locating slot in the Price Disc fits over the locating pin in the Coin Mechanism Recorder Assembly. Push the Price Disc into place in the Recorder Assembly.
9. Replace the Price Cap.
10. Close the Cabinet Door.
11. Depress the Scavenger Bar.
12. Test Vend each Column of the Merchandiser without coins; with coins totaling the vend prices; and with coins totaling less than the vend price at which the Column in the Merchandiser is set to vend.

B. One Price Vending At A Price Of 65¢ Or Above.

NOTE

If the single price is 60¢ or below, see procedure II-A.

1. Follow steps II-A1 through II-A5.
2. Rotate the Low Price Setting Disc, the Disc next to the Rear (numbered) Disc, to align the yellow line on the Disc with the 60¢ price indication on the Rear Disc. See Figure 1.
3. Rotate the Intermediate Price Setting (center) Disc and the High Price Setting (outer) Disc to align the yellow line on these Discs with the price at which the Merchandiser is to vend. See Figure 1.
4. a. Set all Price Shaft Arms on the Merchandiser Rear Price Selector Shafts in the operating position. See Figure 2.
- b. Set all Price Shaft Arms on the Merchandiser Front Price Selector Shafts in the non-operating position.
5. Follow steps II-A8 through II-A12.

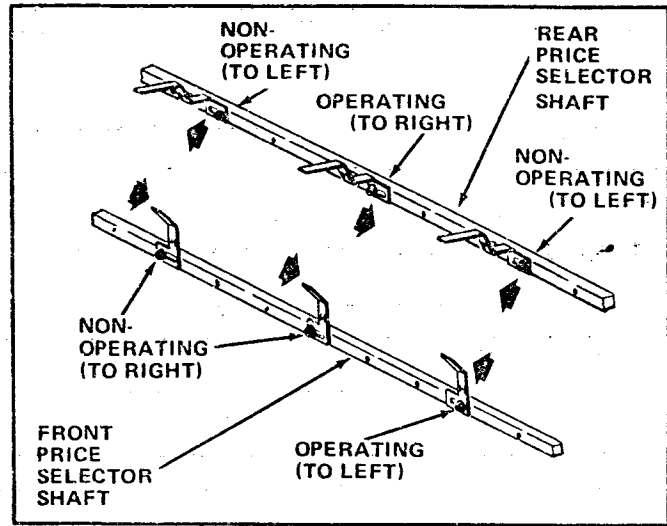


Figure 2. Setting The Price Selector Fingers in an ACMR-130 Equipped Merchandiser

C. Two Price Vending When The Lower Price Is 60¢ or Below.

NOTE

If the lower price is 60¢ or above, see procedure II-D.

1. Follow steps II-A1 through II-A5.
2. Rotate the Low Price Setting Disc, the Disc next to the Rear (numbered) Disc, to align the yellow line on the Disc with the price marking for the lowest price at which the Merchandiser is to vend.
3. Rotate the Intermediate Price Setting (center) Disc and the High Price Setting (outer) Disc to align the yellow line on the Discs with the price marking for the Highest Price at which the Merchandiser is to vend. See Figure 1.

IMPORTANT

The high price cannot be more than 70¢ above the low price.

4. a. Set the Price Shaft Arms on the Merchandiser Rear Price Selector Shafts, for Columns that are to vend at the low price, in the non-operating position. See Figure 2.
- b. Set the Price Shaft Arms on the Merchandiser Rear Price Selector Shaft, for Columns that are to vend at the high price, in the operating position. See Figure 2.

- c. Set the Price Shaft Arms on the Merchandisers Front Price Selector Shaft, in the non-operating position. See Figure 2.

5. Follow steps II-A8 through II-A12.

- D. Two Price Vending When The Lower Price is 65¢ Or Above.

NOTE

If the Lower Price is 60¢ or below, see procedure II-C.

1. Follow steps II-A1 through II-A5.
 2. Rotate the Low Price Setting Disc, the Disc next to the Rear (numbered) Disc; to align the yellow line on the Disc with the 60¢ price indication on the Rear Disc. See Figure 1.
 3. Rotate the Intermediate Price Setting (center) Disc to align the yellow line on the Disc with the lowest price at which the Merchandiser is to vend. See Figure 1.
 4. Rotate the High Price Setting (outer) Disc to align the yellow line on the Disc with the high price at which the Merchandiser is to vend. See Figure 1.
 5. a. Set the Price Shaft Arms on the Merchandiser Rear Price Shafts, for the Columns that are to vend at the low price in the operating position. See Figure 2.
 - b. Set the Price Shaft Arms on the Merchandiser Front Price Selector Shafts, for columns that are to vend at the high price, in the operating position. See Figure 2.
6. Follow steps II-A8 through II-A12.

- E. Three Price Vending.

IMPORTANT

If the Merchandiser is to be set to vend at 3 prices, the lowest price must be 60¢ or below and the maximum difference between the low and the high price cannot be more than 70¢. For example, if the low price is 40¢ the high price cannot be above \$1.10.

1. Follow steps II-A-1 through II-A2.

2. Rotate the Low Price Setting Disc, the Disc next to the Rear (numbered) Disc, to align the yellow line on the Disc with the price marking for the lowest price at which the merchandiser is to vend. This low price cannot be higher than 60¢ and the high price at which the Merchandiser is to vend cannot be more than 70¢ above the low price. See Figure 1.

3. Rotate the Intermediate Price Setting (center) Disc to align the yellow line on the Disc with the intermediate price at which the Merchandiser is to vend. See Figure 1.

4. Rotate the High Price Setting (outer) Disc to align the yellow line on the Disc with the high price at which the Merchandiser is to vend. This price cannot be more than 70¢ above the low price. See Figure 2.

5. a. Set the Price Shaft Arms on the Merchandiser Rear Price Selector Shaft, for the columns that are to vend at the lowest and highest prices, in the no-operating position. See Figure 2.

- b. Set the Price Shaft Arms on the Merchandiser Rear Price Selector Shaft, for the columns that are to vend at the intermediate price, in the operating position. See Figure 2.

NOTE

The Price Shaft Arms on the Merchandiser Front Price Selector Shaft, may be moved to any of the holes on the Merchandiser Front Price Selector Shaft, to align the Merchandiser Price Shaft Arms with the Merchandiser Ejector Castings of the Merchandiser Columns that are to vend at the highest price.

6. Follow steps II-A8 through II-A12.

III. FREE VEND SETTING

To set a Merchandiser equipped with a Series 130 ACMR to free vend, remove the Price Setting Disc Assembly from the ACMR.